

HANCE

2 Circuit Track Spotlight

DESCRIPTION

HANCE is a comprehensive range of track-mounted luminaires available in a wide selection of lumen outputs, distribution angles, color temperatures, and accessories, catering to a wide range of lighting requirements. The product line provides optimal lighting solutions while offering minimal visual impact, which is achieved through the integration of the driver into a single unit, eliminating the need for a separate driver enclosure. The cast aluminum housing facilitates efficient thermal management while imparting a modern and sophisticated touch of illumination. The contoured swivel arm enables the stem to become an integral component of the spotlight, making it suitable for use as a downlight. These luminaires are compatible with 2-Circuit, 2-Neutral Line Voltage Track.



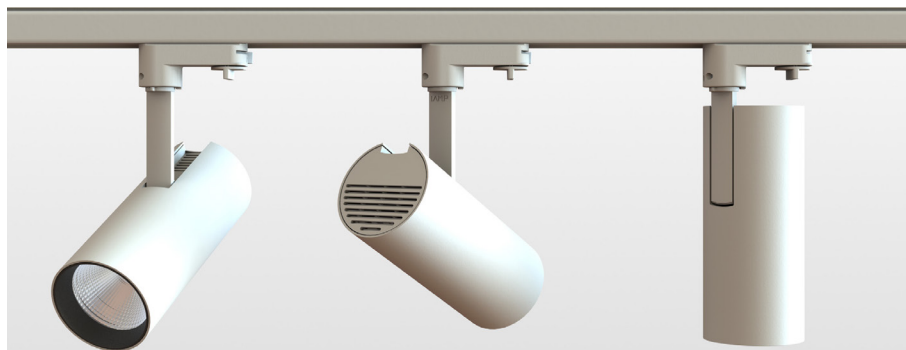
Date: _____ Type: _____ Catalog Number: _____

Project Name: _____



ORDERING INFORMATION

LUMINAIRE						
MODEL	CRI	CCT	CONTROL	VOLTAGE	OPTIC	FINISH
H1000-2C Hance 1000 2 Circuit	80 80 CRI	27K 2700K	ON-OFF On/Off	120 120V	SP Spot 16°	BL Black (RAL 9011)
H2000-2C Hance 2000 2 Circuit	90 90 CRI	30K 3000K		277 277V	MB Medium 24°	WH White (RAL 9010)
H3000-2C Hance 3000 2 Circuit		35K 3500K			WB Wide 36°	
H4000-2C Hance 4000 2 Circuit		40K 4000K				



HANCE

2 Circuit Track Spotlight



		HANCE 1000	HANCE 2000	HANCE 3000	HANCE 4000
PHYSICAL	HOUSING	Die-Cast Aluminum			
	HOUSING DIMENSIONS	6.65" L x 2.56" W x 4.5" H (@ 90°)		8.25" L x 3.5" W x 8.25" H (@ 90°)	
	WEIGHT (pounds)	1.43		2.97	
	LUMINAIRE FINISH	Black: RAL 9011 White: RAL 9010			
	MOUNTING	For use with LAMP 2-Circuit/2-Neutral Line Voltage Track; Friction/Locking 90° Tilt and 355° Orientation			

ELECTRICAL	POWER CONSUMPTION (watts)	8.1	20.5	27.5	36.7
	AMPERAGE	0.07 @ 120v 0.03 @ 277v	0.17 @ 120v 0.07 @ 277v	0.23 @ 120v 0.10 @ 277v	0.31 @ 120v 0.13 @ 277v
	CONTROL	On/Off			

PHOTOMETRIC	LED	Static White (2700K, 3000K, 3500K, or 4000K)			
	COLOR RENDERING INDEX	80 or 90			
	NUMBER OF DISTRIBUTIONS	Three			
	OPTICS	Spot 16°, Medium 24°, Wide 36°			
	LUMEN MAINTENANCE	L90 > 50,000 Hours at 77°F*			
	LIGHT CONTROL ACCESSORIES	Honeycomb Louver, Snoot, Lens Film			

LIGHT DISTRIBUTIONS	BEAM ANGLE	CRI	CCT	HANCE 1000		HANCE 2000		HANCE 3000		HANCE 4000	
				LUMENS	EFFICACY	LUMENS	EFFICACY	LUMENS	EFFICACY	LUMENS	EFFICACY
				SPOT 16°		80	3000K	995	123	2204	108
4000K	1054	130	2335				114	3419	124	4694	128
90	3000K	853	105			1889	92	2759	100	3789	103
	4000K	899	111			1992	97	2911	106	3994	109
MEDIUM 24°		80	3000K	1022	126	2267	111	3356	122	4343	118
			4000K	1083	134	2402	117	3549	129	4591	125
		90	3000K	876	108	1943	95	2864	104	3706	101
			4000K	924	114	2049	100	3022	110	3907	106
WIDE 36°		80	3000K	1011	125	2238	109	3138	114	4225	115
			4000K	1071	132	2371	116	3318	121	4467	122
		90	3000K	867	107	1918	94	2678	97	3606	98
			4000K	914	113	2022	99	2826	103	3800	104

Values based on full output.

CERTIFICATIONS	SAFETY	CSA Certified for Dry Locations
	INGRESS PROTECTION	IP20
	WARRANTY	Five Year Limited Warranty

* LED life may vary under actual field conditions due to external factors. Lifetime estimates are generated from actual testing in a controlled environment. Given values are conservatively derived from those numbers.

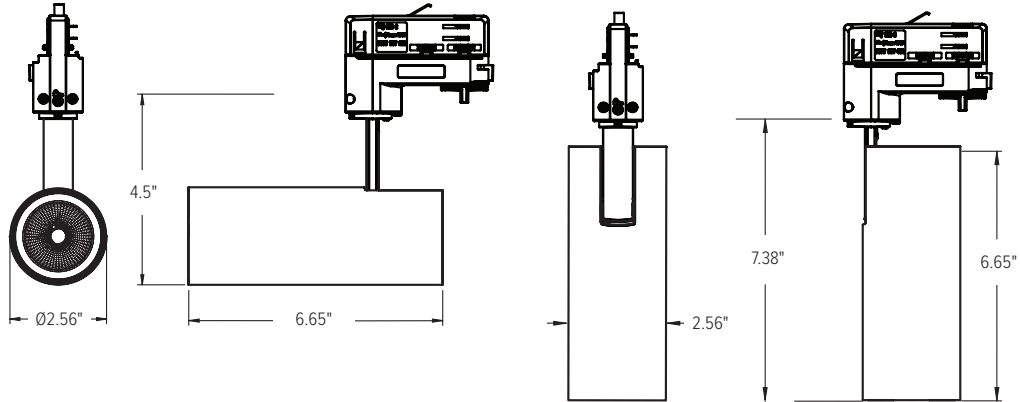
HANCE

2 Circuit Track Spotlight

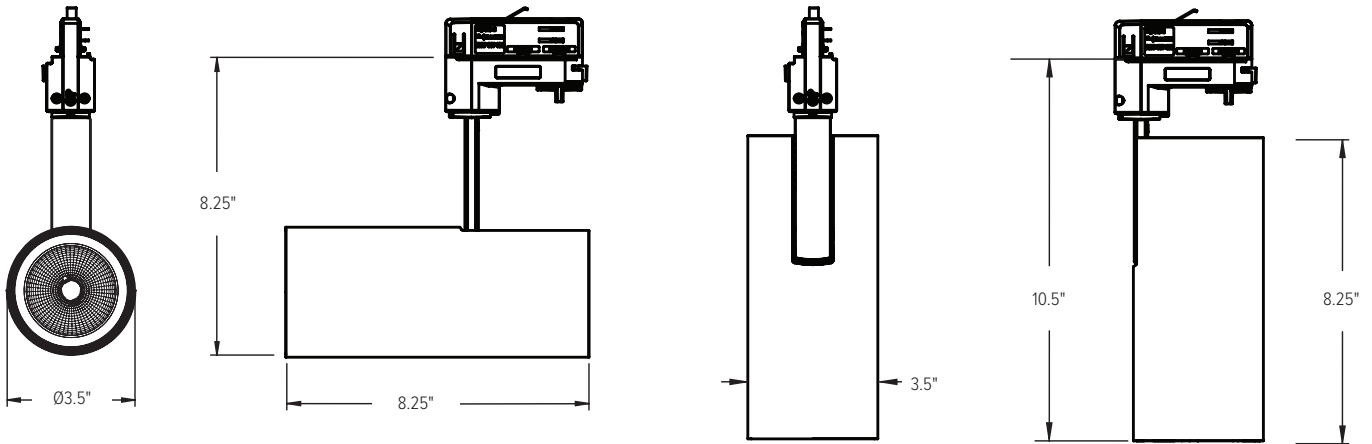
DIMENSIONS

All dimensions are shown in inches unless otherwise noted.

HANCE 1000 & 2000



HANCE 3000 & 4000



ACCESSORIES



HANCE 1000 & 2000 ACCESSORIES

MODEL NUMBER	DESCRIPTION
HSSN50	Snoot (Black Finish)
HSHL50	Honeycomb Louver
HSSL50	Soft Lens Film
HSTR50	Clear Lens
HSRI65B	Decorative Ring (Black Finish)
HSRI65W	Decorative Ring- (White Finish)
HSRI65S	Decorative Ring- (Silver Finish)
HSRI65C	Decorative Ring- (Copper Finish)
HSR50SP	Spot Beam Reflector
HSR50MB	Medium Beam Reflector
HSR50WB	Wide Beam Reflector

ACCESSORIES



HANCE 3000 & 4000 ACCESSORIES

MODEL NUMBER	DESCRIPTION
HSSN75	Snoot (Black Finish)
HSHL75	Honeycomb Louver
HSSL75	Soft Lens Film
HSTR75	Clear Lens
HSRI90B	Decorative Ring (Black Finish)
HSRI90W	Decorative Ring- (White Finish)
HSRI90M	Decorative Ring- (Silver Finish)
HSRI90C	Decorative Ring- (Copper Finish)
HSR75SP	Spot Beam Reflector
HSR75MB	Medium Beam Reflector
HSR75WB	Wide Beam Reflector