

# URBAN 100

## Recessed Outdoor Wall Floodlight



### DESCRIPTION

URBAN 100 is a compact 4" square recessed wall luminaire for accenting and illumination of pedestrian spaces including stairs, walkways, building entrances, and corridors. Consuming less than two watts, the fully shielded luminaire projects a forward throw Type IV distribution to ensure illumination across wider paths. The die-cast aluminum faceplate projects less than 0.1" from the wall surface making it suitable for ADA applications. Available color temperatures include 2700K or 4000K at 90CRI. Luminaire ships complete with plastic recessed back box.



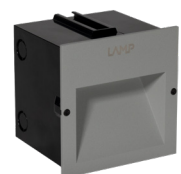
Date: \_\_\_\_\_ Type: \_\_\_\_\_ Catalog Number: \_\_\_\_\_

Project Name: \_\_\_\_\_



### ORDERING INFORMATION

LUMINAIRE			
MODEL	CCT	VOLTAGE	FINISH
URB100 Urban 100 Recessed Wall Floodlight	27K 2700K	UNV 120 - 277V	GR Grey
	40K 4000K		



# URBAN 100

## Recessed Outdoor Wall Floodlight

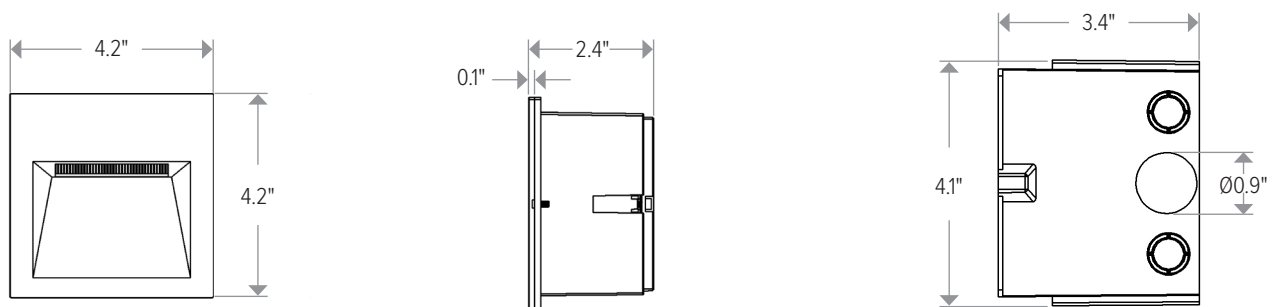


URBAN 100		
PHYSICAL	HOUSING	Die-Cast Aluminum
	HOUSING DIMENSIONS	3.89" L x 3.35" W x 3.35" H
	RECESSED BACK BOX	Flame Retardant ABS Plastic
	CONDUIT ACCEPTANCE	Accepts ½" EMT
	OVERALL DIMENSIONS	4.17" L x 3.35" W x 4.17" H
	WEIGHT	1.56 pounds
PHOTOMETRIC	LED	2700K or 4000K
	DELIVERED LUMEN OUTPUT	Up to 113 lumens
	EFFICACY	Up to 66.5 lumens per watt
	LUMEN MAINTENANCE	L90 > 50,000 Hours*
	# DISTRIBUTIONS	One
	LIGHT CONTROL ACCESSORIES	None
ELECTRICAL	POWER CONSUMPTION	1 watt max
	AMPERAGE	0.008A @ 120V or 0.004A @ 277V
	CONTROL	ON/OFF
	CRI	90
CERTIFICATIONS	SAFETY	CSA Certified for Wet Locations
	INGRESS PROTECTION	IP65
	IMPACT RATING	IK07

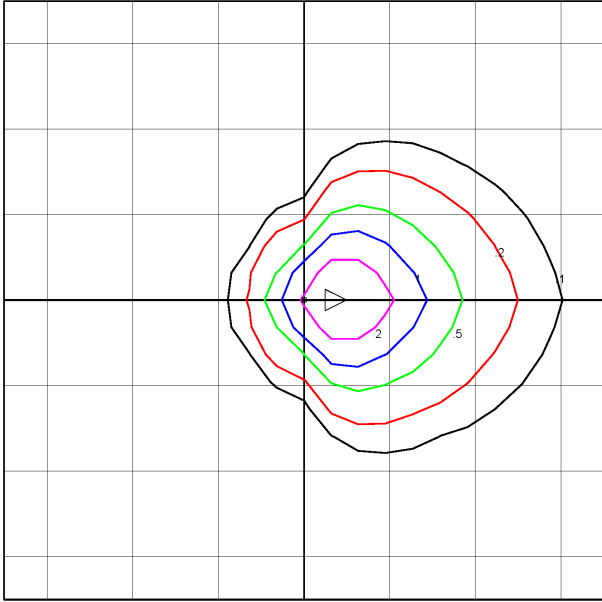
\* LED life may vary under actual field conditions due to external factors. Lifetime estimates are generated from actual testing in a controlled environment. Given values are conservatively derived from those numbers.

### DIMENSIONS

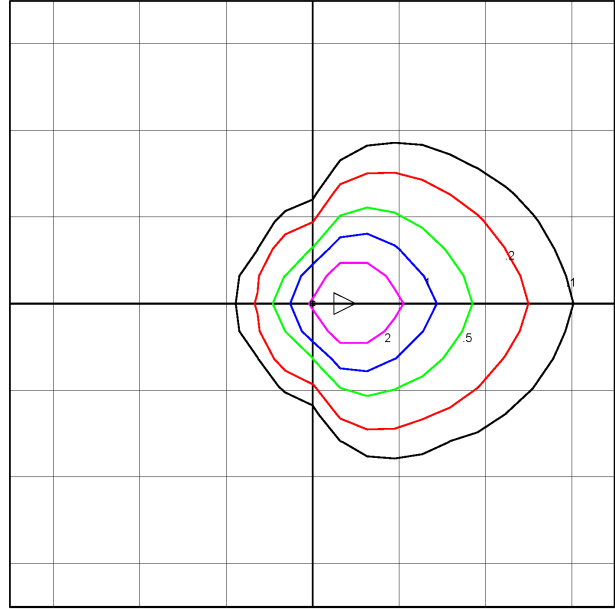
All dimensions are shown in inches unless otherwise noted.



PHOTOMETRY



**URB100-27K-UNV-GR:**  
Mounting Height= 2.5'  
Each Square= 4"  
Delivered Lumens= 113 lumens  
Maximum Calculated Value= 3.88 FC



**URB100-40K-UNV-GR:**  
Mounting Height= 2.5'  
Each Square= 4"  
Delivered Lumens= 113 lumens  
Maximum Calculated Value= 3.88 FC